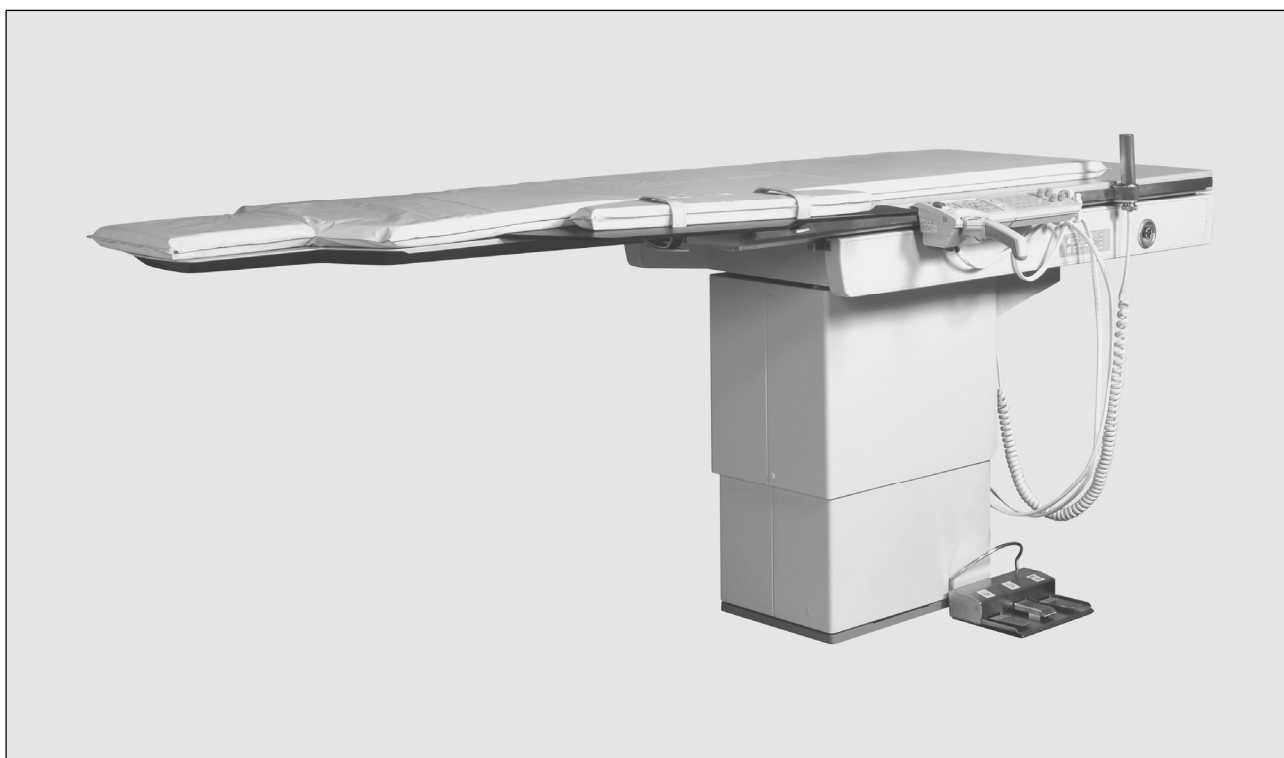


SHIMADZU

PRODUCT DATA

Catheterization
Table**KS-70****GENERAL**

This Catheterization Table KS-70, which is combined with X-ray high voltage generator, X-ray tube assembly, X-ray image system (Image Intensifier, Flat Panel Detector, X-ray TV camera), and contrast medium injector, etc. in a cardiovascular examination system, is a diagnostic table to perform X-ray fluoroscopy and radiography on the object in horizontal position.

The KS-70 can be applied to the following application fields.

- (1) Cerebral angiography
- (2) Cardiovascular angiography
- (3) Abdominal angiography
- (4) Peripheral angiography

FEATURES

(1) Low X-ray absorption CFRP tabletop

The CFRP (carbon fiber reinforced plastic) tabletop achieves low X-ray absorption and provides excellent contrast image quality.

(2) 227 kg Patient load with additional 100 kg CPR support

The table is capable of 227 kg patient load which is the largest in the industry. Furthermore, additional 100 kg are offered for the CPR (Cardio-Pulmonary Resuscitation) at CPR position.

(3) Wide patient coverage

The KS-70, in combination with the Shimadzu C-arm Gantry, secures wide longitudinal patient coverage as well as transverse patient coverage. X-ray fluoroscopy and radiography can be performed from

the head to toes, and from right to left. The light tabletop slide makes patient positioning easier.

(4) Optimum tabletop working height

The table offers the motorized tabletop elevation and the tabletop height from floor can be changed from 79 cm to 115 cm, which is helpful for the patient to get on/off the tabletop. Furthermore, the operators can obtain appropriate working height depending on their height. (* tabletop height is increased 2.5 cm in case of no pit on the floor.)

(5) +180 / -90 deg. table rotation

The table swivel from +180 deg. to -90 deg. is useful for the patient treatment at the time of emergency cases. +180 deg. opposite position

enables dual-plane configurations which combines two different C-arms for two different applications to increase the room operation efficiency.

(6) Two kinds of table-top shapes

Two different tabletop shape is available depending on the patient size and expected applications. Standard tabletop shape can be used for universal use, and wide patient tabletop is useful for trans-radial or trans-brachial approach for less-invasive catheterization.

(7) A variety of accessories/options to support angiographic procedures

A variety of accessories and unique features are provided as standard or provided optionally.

CONFIGURATION

(1) Table base..... 1 set

Holding the tabletop to permit its vertical and rotational movements, this unit is equipped with driving part and control part for the said movements.

(2) Tabletop unit..... 1 set

This unit holds the tabletop to permit its longitudinal slide and transversal slide and is provided with a rail for mounting of various accessories on each side of tabletop. Also, the magnet lock brake mechanism is provided to fix the tabletop.

(3) Standard accessories

- Grip switch 1 set (Fig.1)
- Foot switch 1 set (Fig.2)
(It is provided with foot switches for fluoroscopy and radiography.)
- Tabletop mattress 1 piece (Fig.3)
- Arm support (Carbon) 1 set (Fig.4)
- Arm support 1 pair (Fig.5)
- Drip stand 1 set (Fig.6)
- Cable hook 6 pieces (Fig.7)

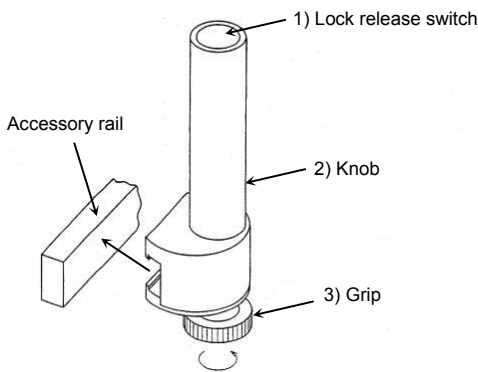


Fig.1 Grip switch

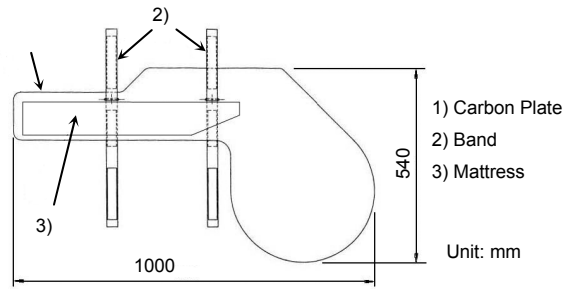
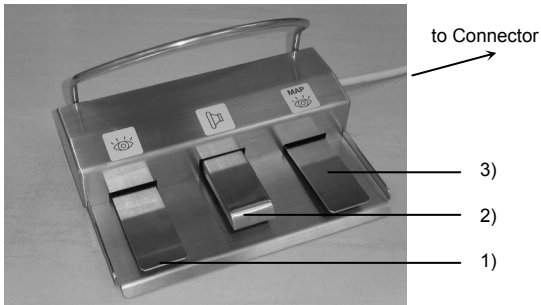




Fig.4 Arm support (carbon)



In case of combination with single-plane C-arm.

- 1) Fluoroscopy switch ()
- 2) Exposure switch ()

In case of combination with bi-plane C-arm.




- 1) Frontal C-arm fluoroscopy switch ()
- 2) Exposure switch ()
- 3) Lateral C-arm fluoroscopy switch ()

Fig.2 Foot switch

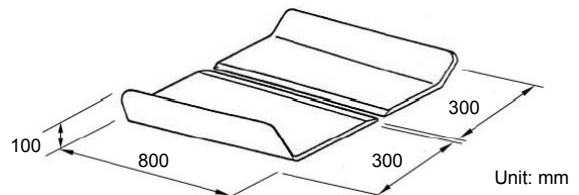


Fig.5 Arm supports



Fig.3 Tabletop mattress

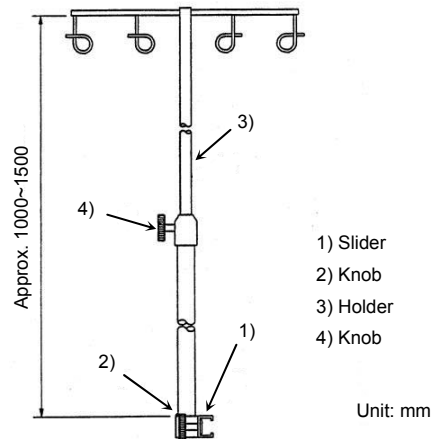


Fig.6 Drip stand

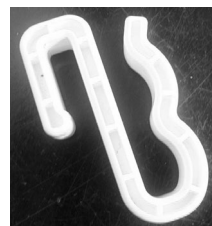
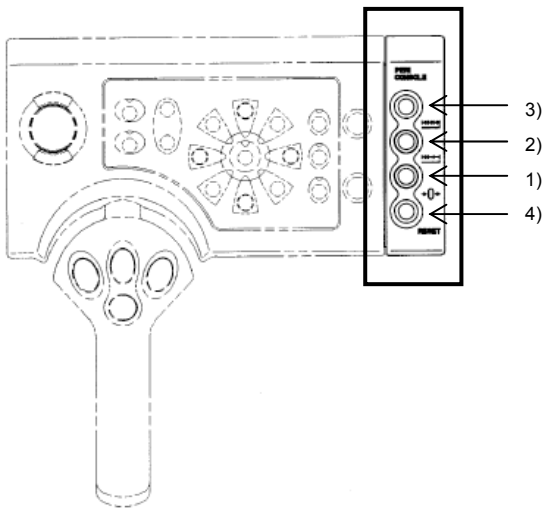


Fig.7 Cable hook

OPTIONAL ACCESSORIES

- Peri console 1 set (Fig.8)
(Only for I.I. system)
- Arm grip 1 set (Fig.9)
- Sub rail 1 set (Fig.10)
- Driving unit for peripheral angiography 1 set
- Injector head mount
(for catheterization table mounting MARK-V) 1 set
- Base plate (to reinforce the floor) 1 set
- Arm support(for Radial/Brachial Puncture) 1 set(Fig.11)
- Full cover mattress 1 set(Fig.12)



- 1) Start point return switch
- 2) Two position registration switch for constant step radiography
- 3) Multi position registration switch for flexible step radiography
- 4) Reset switch

Fig.8 Peri Console (Option)

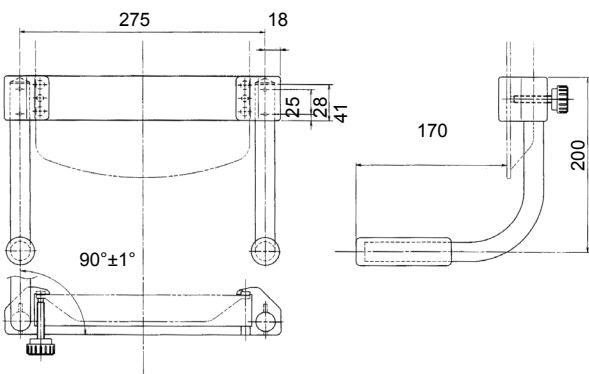


Fig.9 Arm grip (Option)

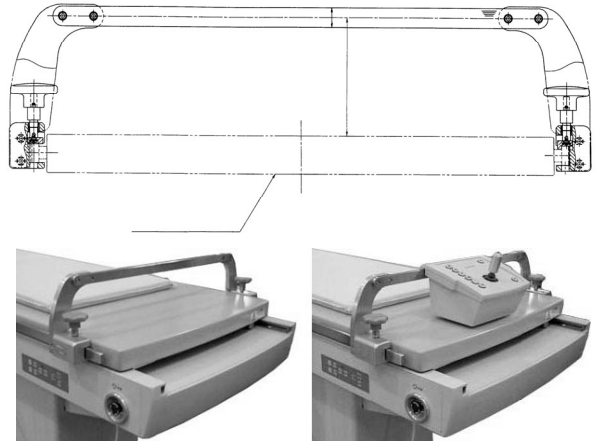
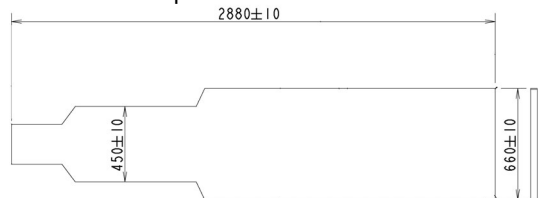


Fig.10 Sub-rail (Option)



Fig.11 Arm support (carbon)(Option)

For standard tabletop



For wide tabletop

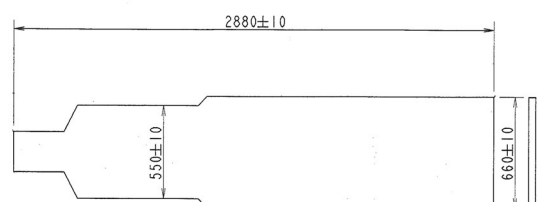
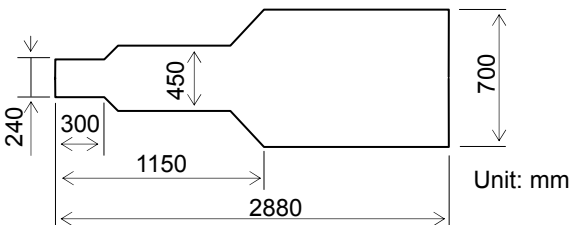
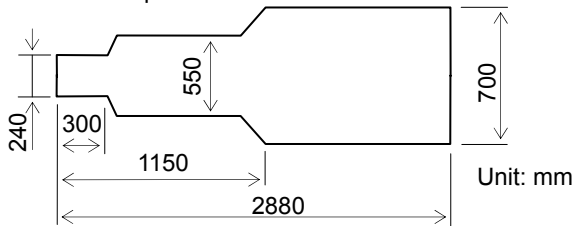


Fig.12 Full cover mattress (Option) Unit: mm

SPECIFICATIONS

Item	Description	
Tabletop size	Standard tabletop 	
	Wide tabletop 	
Attenuation equivalent for table	0.7mm Al. Eq. (150mm inside from the tip of the table) 0.8mm Al. Eq. (800mm inside from the tip of the table)	
Distance between tabletop surface and floor	79 to 115cm, continuously variable (81.5 to 117.5cm when the pit is not provided on the floor)	
Longitudinal slide of tabletop	Full stroke	135cm
	Control	Manual
	Locking system	OFF brake (magnet locking system) to be controlled with grip switch
Transversal slide of tabletop	Stroke	±15cm
	Control	Manual
	Locking system	OFF brake (magnet locking system) to be controlled with grip switch
Vertical movement of tabletop	Stroke	36cm
	Control	Motor-driven
	Speed	13.2mm/s (50Hz), 15.8mm/s (60Hz)
Rotation of column	Stroke	CW90°/CCW180°
	Control	Manual
	Locking system	OFF brake (solenoid locking system) to be controlled with switch provided on side of table
Driving unit for peripheral angiography (option)	Number of steps	6 steps maximum saved (for peripheral DSA option)
	Step speed	1.6sec/25cm
	Exposable range	135cm (at maximum)
	Exposure interval	2sec. (when the step interval is 25cm)
	Stopping accuracy	±1mm
Allowance load mass (Based on IEC60601-2-43)	227kg (Patient must lay on the tabletop) +100kg (for CPR, at CPR position)	

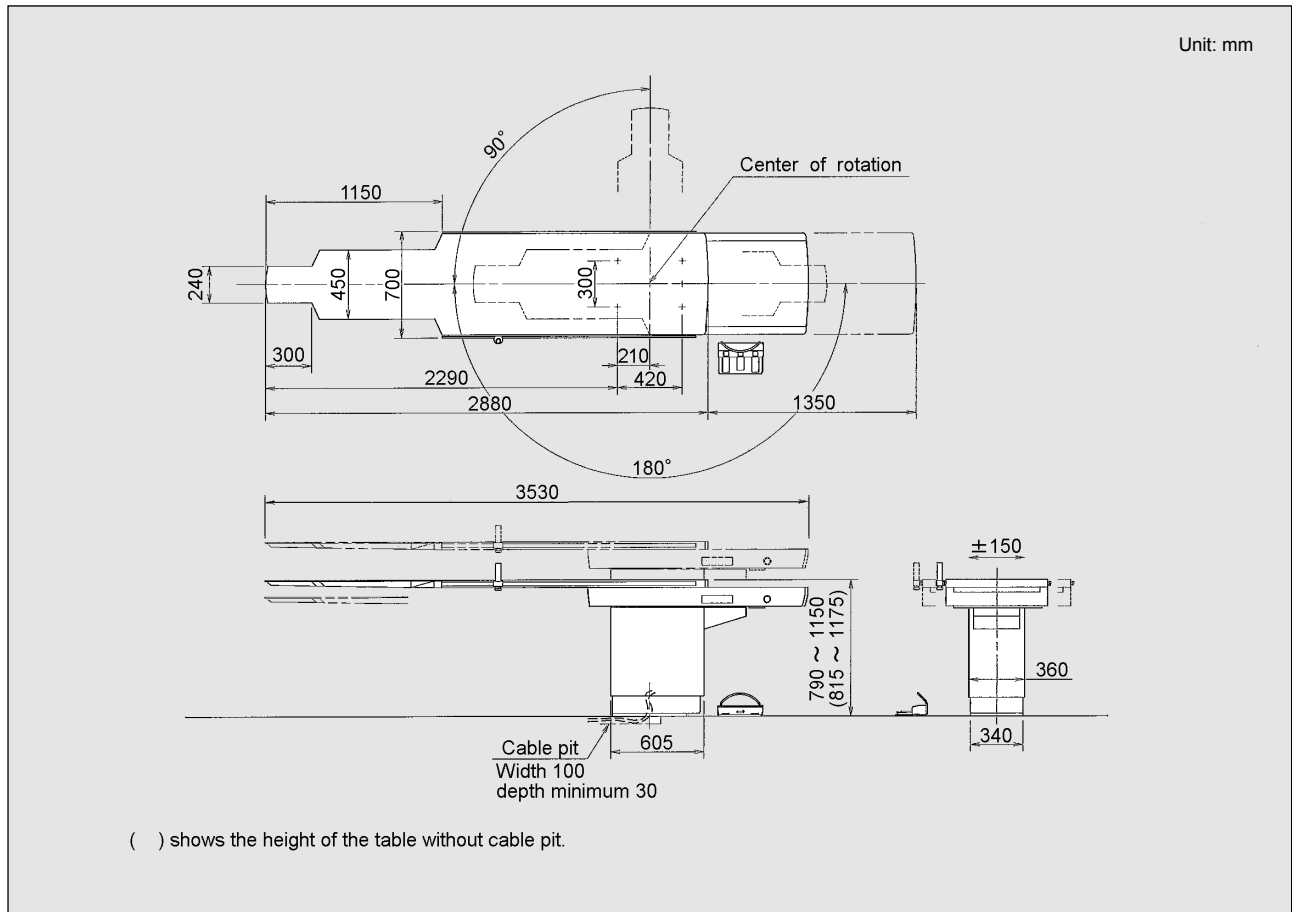
INSTALLATION RELATED

Installation related	Outline dimensions	4230mm×1200mm×1250mm (Depth × Width × Height) (KS-70 only)		
	Mass	Approx. 350kg		
Power requirements (*Note)	Single phase	100V,	0.5kVA,	50/60Hz
	Three-phase	200V,	1kVA,	50/60Hz

Note: The aforementioned specifications are subject to change for further improvement without prior notice to you.

* Note: The power should be supplied from output of a reinforced insulation transformer.

DIMENSIONS



Remarks

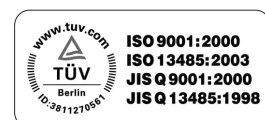
- * Every value in this Product Data Sheet is a standard value, and it may vary a little from the actual at each site.
- * The appearances and specifications are subject to change for reasons of improvement without notice.
- * Certain configurations may not be available pending regulatory clearance. Contact your Shimadzu representative for information on specific configurations.



SHIMADZU CORPORATION. International Marketing Division

3. Kanda-Nishikicho 1-chome, Chiyoda-ku, Tokyo 101-8448, Japan Phone: 81(3)3219-5641 Fax: 81(3)3219-5710

URL <http://www.shimadzu.com>



Shimadzu Corporation Medical Systems Group has been certified by TUV Rheinland as a manufacturer of medical equipment and systems in compliance with ISO9001: 2000 Quality Management Systems and EN ISO13485: 2000 Medical Equipment Quality Management Systems.