

# Ceiling Type X-ray Tube Support CH-200M

**SHIMADZU**  
Solutions for Science  
since 1875

C514-E016B

## Specifications

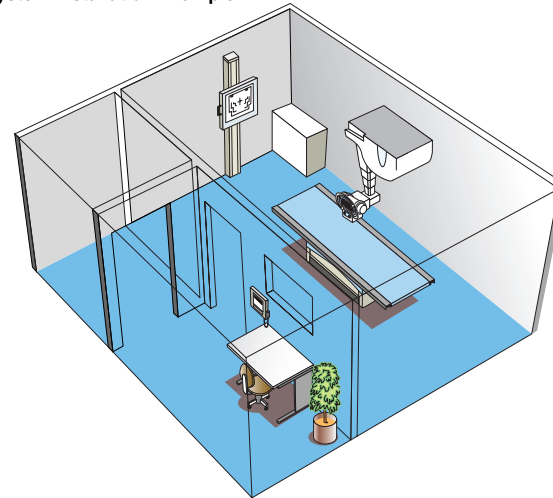
Item	Standard type	Rear-mounting type (*2)	Low-ceiling type
Maximum supportable weight	39 kg		
Balancing system	Spring-balanced type		
Ceiling fixtures Rail	Fixed rail: 4 m; Traveling rail: 2 m (Other lengths are also available.)		
Movement of X-ray tube assembly			
Range of movement	With ceiling height of 2,850mm:	With ceiling height of 2,850mm:	With ceiling height of 2,700mm:
Vertical travel (1°)	400 to 2,000 mm	400 to 2,000 mm	400 to 2,000 mm
Longitudinal travel	2,950 mm (with a 4m fixed rail)		
Transverse travel	1,400 mm (with a 2m traveling rail)		
Operation	Manual, electromagnetic lock (released when activated)		
Rotation about the vertical axis			
Angle of rotation	±180°, continuous (click stops at 90° intervals)		+30°~90°, continuous (click stops at 90° intervals)
Operation	Manual, electromagnetic lock (released when activated)		
Rotation about the horizontal axis			
Angle of rotation	+120° to -180°, continuous Click stops at 0° and ±90°		
Operation	Manual, electromagnetic lock (released when activated)		
Display	Angle of rotation displayed digitally		
Standard ceiling height	2,850 mm (*3)	2,700mm	
Weight	250 kg (including support, 4m fixed rail, and 2m traveling rail)		
Power source	Single phase, 100 VAC, 0.7 A, 50/60 Hz (supplied from X-ray high-voltage generator)		

\*1 Distance between focus and floor with standard rails (The values are 10 mm less if a wide fixed rail is used.)

\*2 Low-ceiling type are not available with the rear-mounting design.

\*3 Installation with the focus 350mm lower is possible, thus vertical travel movement 400 to 2,000mm is maintained although the ceiling height is 3200mm.

## System Installation Example



SHIMADZU CORPORATION. International Marketing Division  
3. Kanda-Nishikicho 1-chome, Chiyoda-ku, Tokyo 101-8448, Japan Phone: 81(3)3219-5641 Fax: 81(3)3219-5710

### SHIMADZU MEDICAL SYSTEMS

20101 South Vermont Ave., Torrance, California 90502, U.S.A.  
Phone: 1(310)217-8855 Fax: 1(310)217-0661

### SHIMADZU DEUTSCHLAND GmbH

Albert-Hahn-Strasse 6-10, D-47269 Duisburg, F.R. Germany Phone: 49(203)7687-0 Fax: 49(203)766625

### SHIMADZU (ASIA PACIFIC) PTE LTD.

16 Science Park Drive #01-01 Singapore Science Park, Singapore 118227, Republic of Singapore  
Phone: 65-6778 6280 Fax: 65-6779 2935

### SHIMADZU (HONG KONG) LTD.

Suite 1028 Ocean Center, Harbour City, Tsim Sha Tsui, Kowloon, Hong Kong  
Phone: 852-2375-4979 Fax: 852-2199-7438

### SHIMADZU INTERNATIONAL TRADING (SHANGHAI) Co., LTD. SHANGHAI OFFICE

24th Floor, Shanghai Xin Hualian Building, No.755 Huaihai Zhong Lu, Shanghai, China  
Phone: 86-21-6472-8442 Fax: 86-21-6472-8648

### SHIMADZU MEDICAL SYSTEMS (OCEANIA) PTY. LTD.

Units E, 10-16 South Street, Rydalmere N.S.W. 2116, Australia  
Phone: 61(2)9898-2444 Fax: 61(2)9684-4055

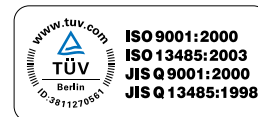
### SHIMADZU DO BRASIL COMÉRCIO LTDA.

Avenida Marquês de São Vicente, 1771. Barra Funda CEP: 01139-003-São Paulo-SP, Brasil  
Phone: (55)11-3611-1688 Fax: (55)11-3611-2209

### Overseas Offices

Istanbul, Moscow

URL <http://www.shimadzu.com>

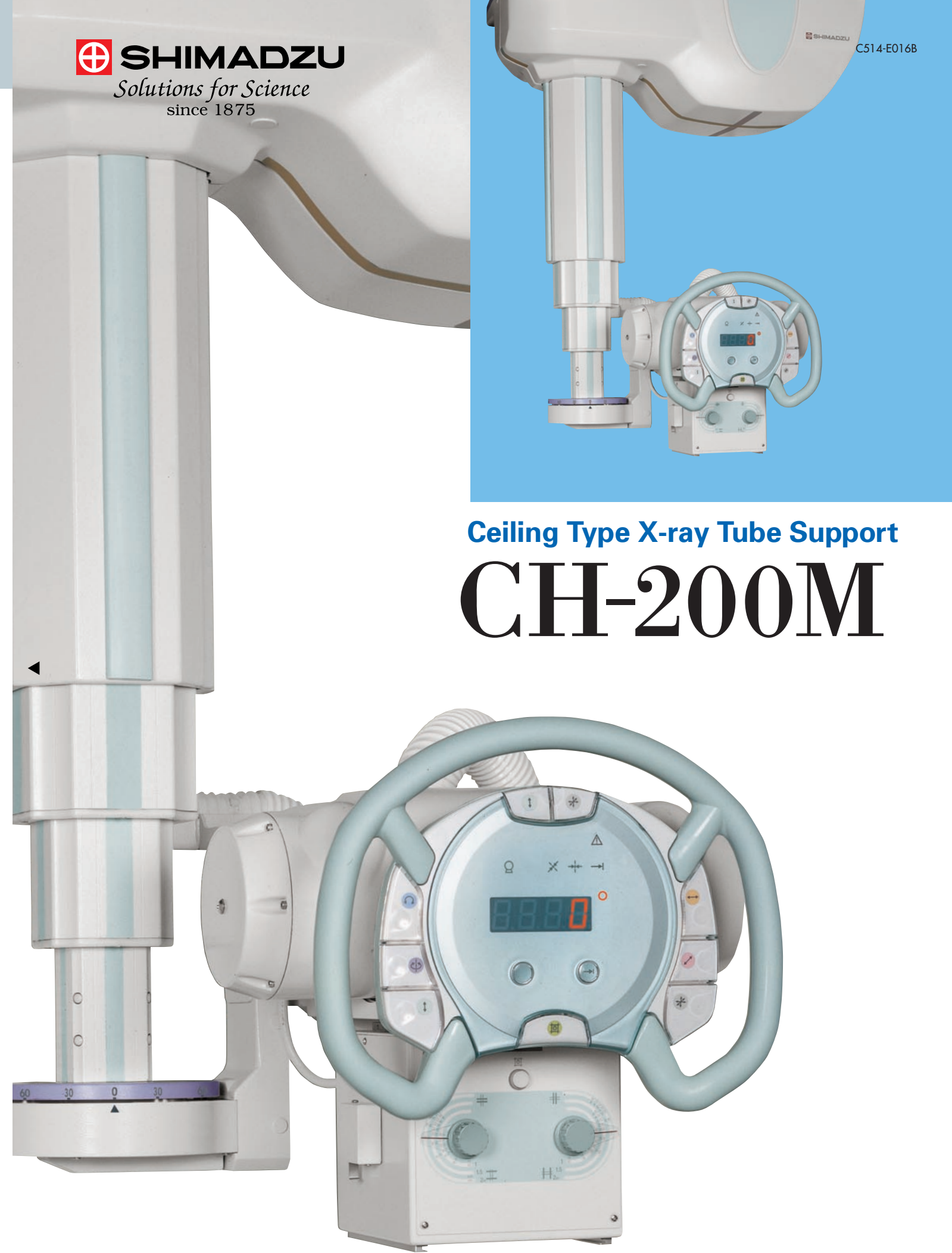


Shimadzu Corporation Medical Systems Group has been certified by TÜV Rheinland as a manufacturer of medical equipment and systems in compliance with ISO9001:2000 Quality Management Systems and ISO13485:2003 Medical Equipment Quality Management Systems.

### Remarks:

- ※ Every value in this catalogue is a standard value, and it may vary a little from the actual at each site.
- ※ The appearances and specifications are subject to change for reasons of improvement without notice.
- ※ Certain configurations may not be available pending regulatory clearance. Contact your Shimadzu representative for information on specific configurations.
- ※ Before operating this system, you should first thoroughly review the Instruction Manual.

Printed in Japan 6295-10503-30ANS





# A Design Evolution

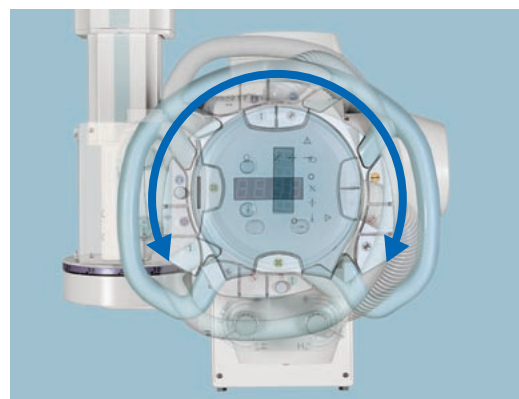
New advanced engineering delivers greater benefits!

## Easier Positioning with the New-Style Handle

The handle's easy-to-grip ergonomic design allows for the fast, accurate single handed maneuvering that is necessary for complex angles in orthopedic procedures and emergency use.



The support can be fixed at any angle.



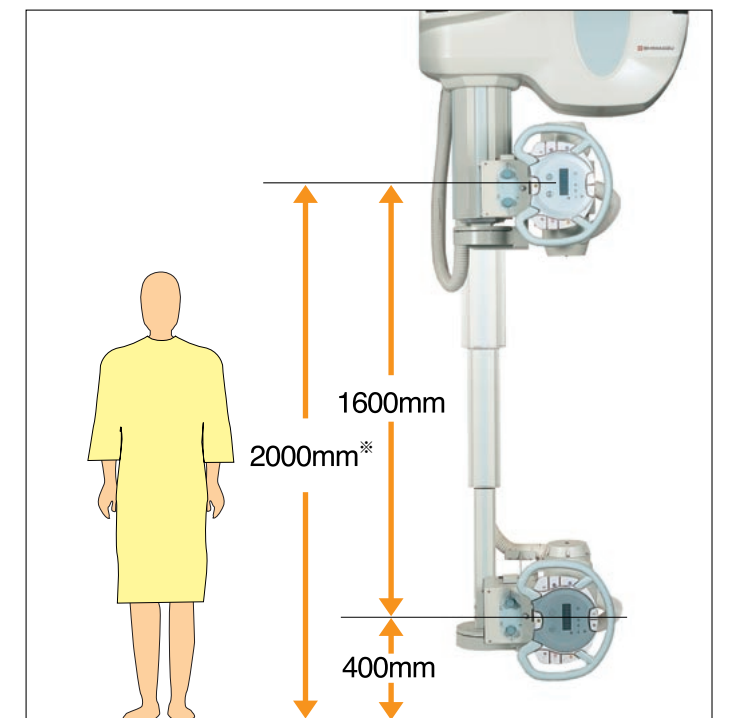
The tube rotation is pin-locked every 90° with quick resetting for bucky radiography.

## Long Vertical Travel

The long vertical travel range, which is 1600mm, provides sufficient SID (Source Image Distance) for images in the supine position as well as for low position images in the standing position.



X-rays of the knee-joint can be taken in the standing position.



The dimensions shown above are for a ceiling height of 2,850 mm (with standard rails).  
 (\* The distance between the focus and the floor for images in the supine position is approximately 2000 mm.)

## Light Handling for Operators

### Aluminum Rails Ensure Smooth Operation

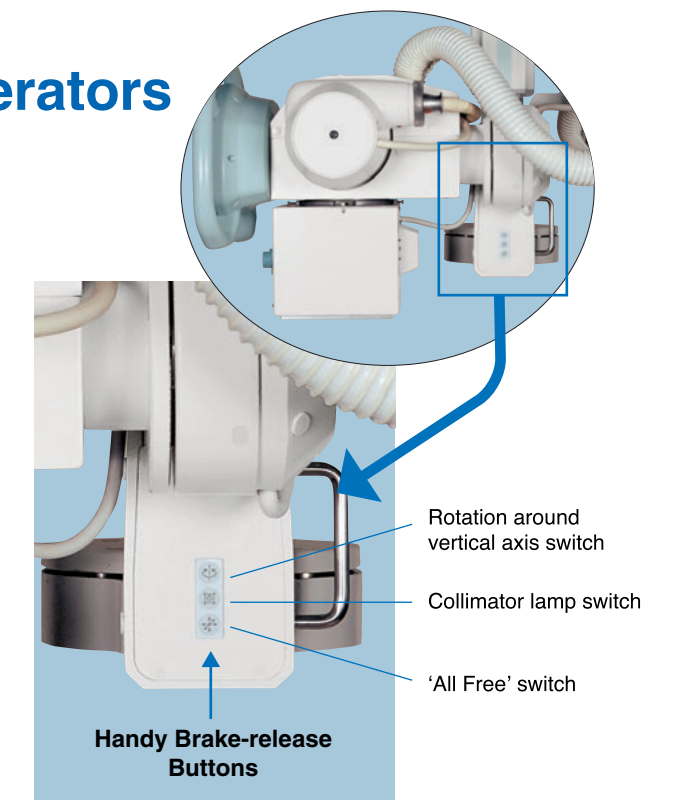
The aluminum rail has a dual structure that incorporates a hardened steel inner-rail wear strip, reducing unevenness on the bearing surface and providing a smooth operation.

### Stops Precisely at the Required Position Using a Pin-stop Mechanism

The ceiling support is equipped with a pin-stop mechanism, which accurately locates the column assembly in the 'Center-Find Position'. Due to its precise pin-stop mechanism this allows rapid preparation for taking X-ray images. There is also a mechanism for suppressing shock when the support is stopped quickly and suddenly, ensuring greater durability.

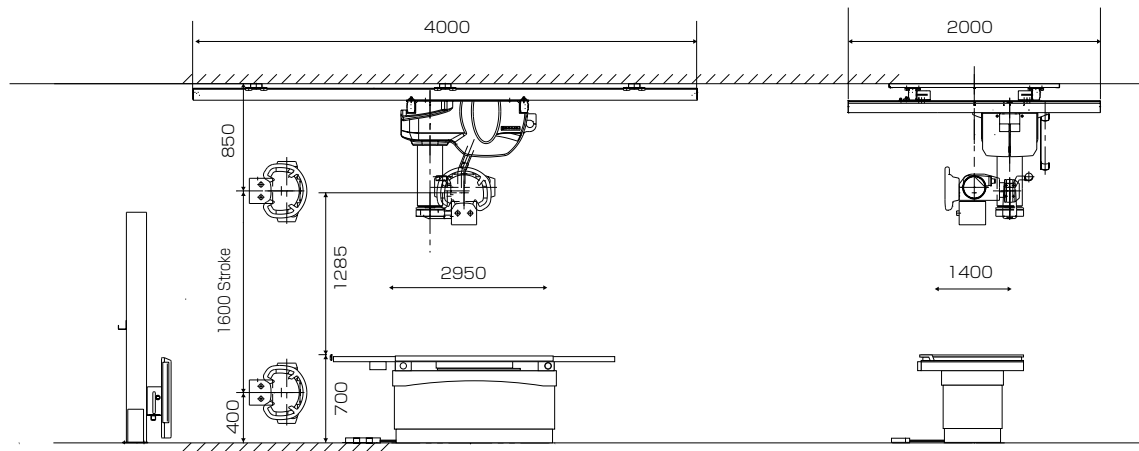
### Handy Brake-release Buttons on the Rear of the Support Assembly

Buttons allowing rotation around the vertical axis and motion in any direction, as well as a collimator lamp switch, are provided on the rear of the support. This feature gives the versatility to perform positioning in emergencies or any other situation.



Choose from three models depending on installation requirements.

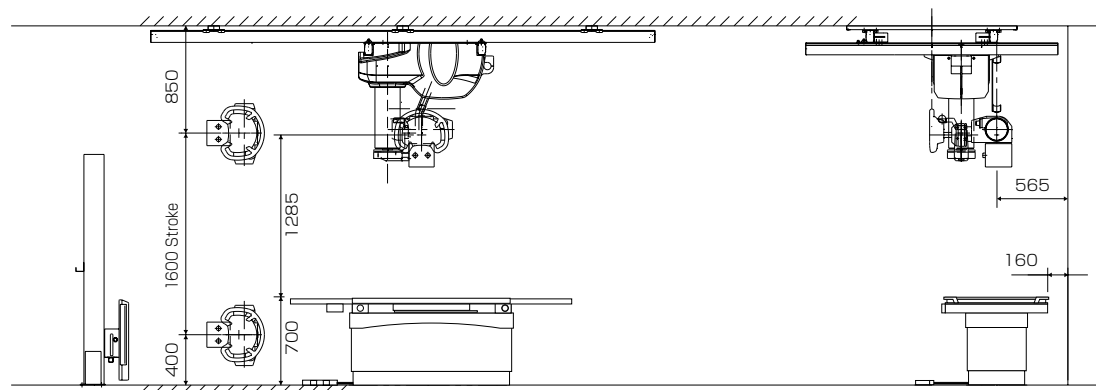
### Standard Type



The dimensions shown above are for a ceiling height of 2,850mm.

### Rear-mounting Type

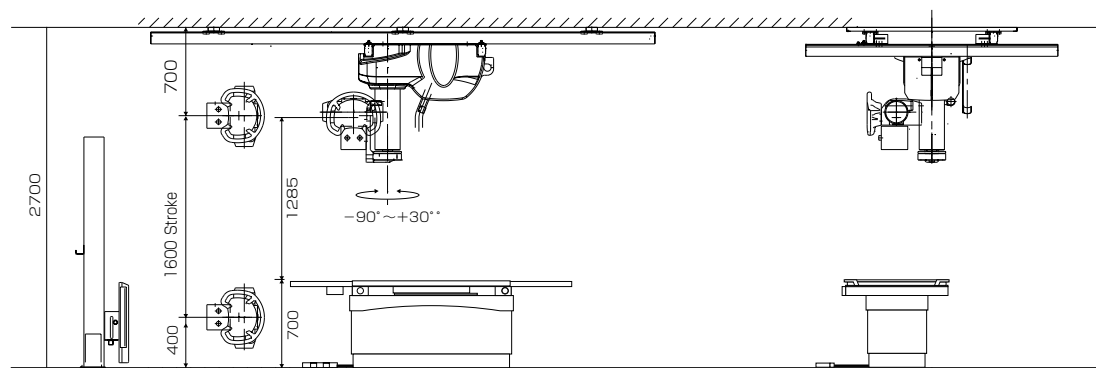
Effective in cases where the radiographic table is installed close to the wall.



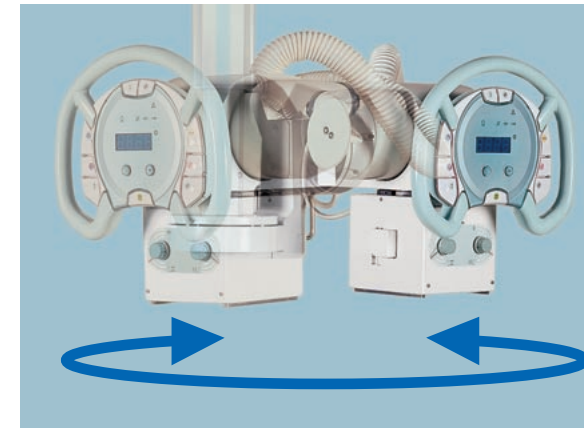
The dimensions shown above are for a ceiling height of 2,850mm.

### Low-ceiling Type

Even with a ceiling height of 2,700 mm, the same exposure range as the standard type can be attained.

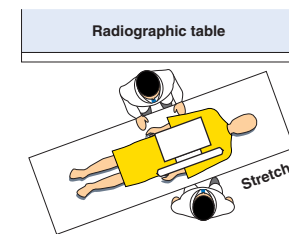


The dimensions shown above are for a ceiling height of 2,700mm.



### Free Rotation about the Support Axis

Rotation around the vertical axis is enabled, by activating the rotation-switch, which is located on the control panel. The lock can be set in any position, allowing precise, accurate positioning.



There are times when it is necessary to take X-rays of patients lying on stretchers because they cannot be moved. The ceiling mounted support provides the subtle angular adjustments necessitated by a patient's posture to be made accurately and smoothly.

### Impressive Flexibility for Erect Procedures with Increased Vertical Movement

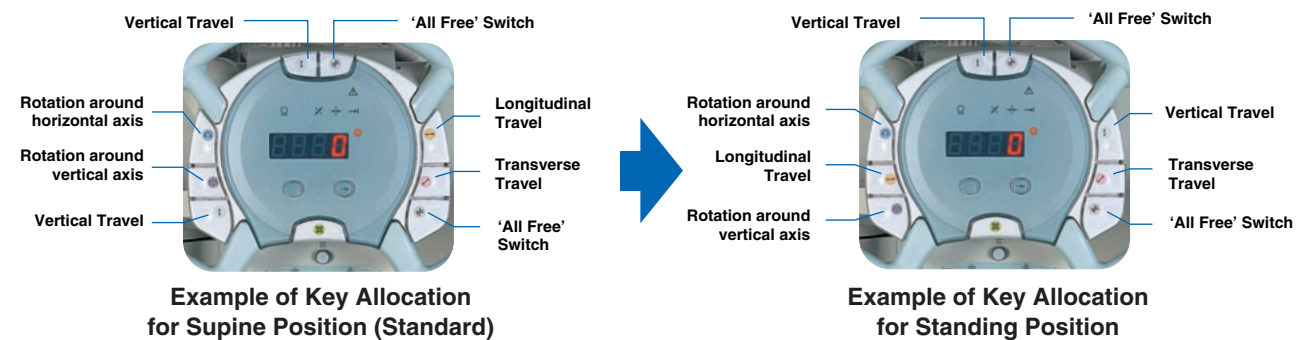
There is an "All Lock-Release Switch" on the upper part of the handle, allowing one-handed operation for procedures in the standing position.



## Smooth Operability

### User-definable Brake-release Buttons

The 8 brake-release buttons positioned on the control panel can be customized to suit each user's individual preferences.



### Large and Clear Digital Angle Display



### V/H (Vertical / Horizontal) angle display conversion

When taking images in the Vertical position the angle display can be converted to vertical angle mode and specific degree angulations that are required can be made.

