

SHIMADZU

PRODUCT DATA

Ceiling Type
X-ray Tube
Support

CH-200



GENERAL

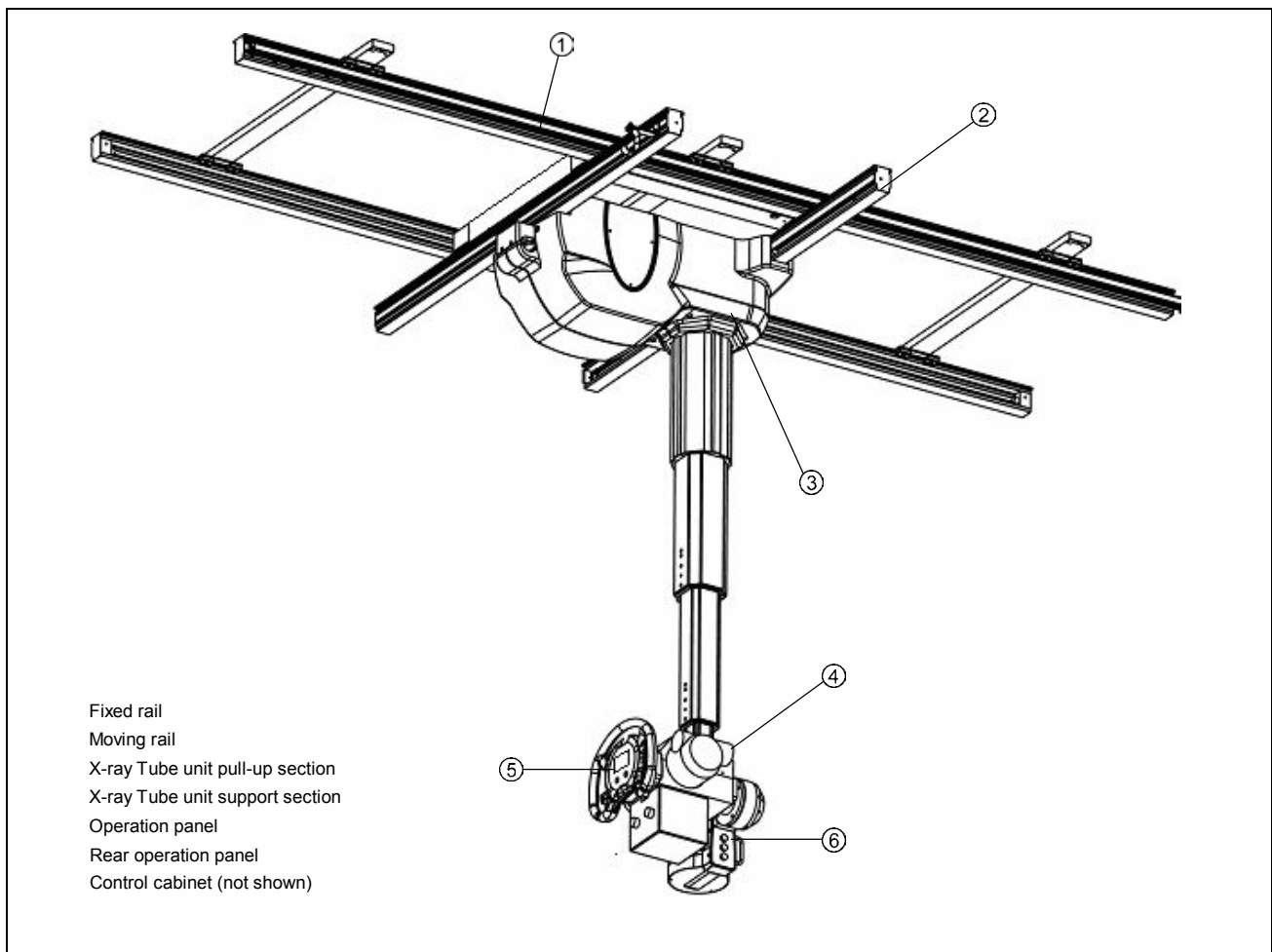
The Ceiling Type X-ray Tube Support CH-200 is a device that holds an X-ray tube unit and collimator combined with an X-ray high voltage generator, radiographic stand, and table, it is designed to perform the radiography of patients either in a standing or supine position.

FEATURES

- (1) Communication between the generator UD150B-40/V-40/L-40 control console and the X-ray tube support, permits exposure parameters and APR to be set and changed on the X-ray tube crane. The combination of operations from a clear, color LCD display with unique, advanced APR functions allows rapid setting of the parameters.
- (2) The focal height of the overhead X-ray tube crane can be synchronized with the Bucky stand BR-120 and Bucky table BK-200(optional). This allows positioning for radiography in the standing position while caring for the patient.
- (3) The longitudinal travel of the Bucky unit in the Bucky table BK-200 can be synchronized to the overhead tube crane's position (optional). In addition, the X-ray field can be controlled according to the cassette size inserted for oblique radiography. Synchronization between the X-ray field and Bucky unit provides accurate positioning support, even for complex positioning in the orthopedic field.
- (4) The collimator self-adjusts according to the selected SID and the size of the inserted cassette (PBL compatible). It maintains an accurate irradiation field while preventing unwanted X-rays to the patient.
- (5) Combination with bucky table BK-200 the system permits high-performance electronic tomography (optional). Tomography is possible, without mechanical linkages, through easy to set parameters at the X-ray tube crane.

- (6) The long vertical travel range, which is 1600mm, provides sufficient SID (Source Image Distance) for images in the supine position as well as for low position images in the standing position.
- (7) Rotation around the vertical axis is enabled, by activating the rotation-switch, which is located on the control panel. The lock can be set in any position, allowing precise, accurate positioning.
- (8) There is an "All Lock-Release Switch" on the upper part of the handle, allowing one-handed operation for procedures in the standing position.
- (9) The ceiling support is equipped with a pin-stop mechanism, which accurately locates the column assembly in the 'Center-Find Position'. Due to its precise pin-stop mechanism this allows rapid preparation for taking X-ray images. There is also a mechanism for suppressing shock when the support is stopped quickly and suddenly, ensuring greater durability.
- (10) Buttons allowing rotation around the vertical axis and motion in 3-direction, as well as a collimator-illumination button, are provided on the rear of the support. This features the versatility to perform positioning in emergencies or any other situation.
- (11) The 8 brake-release buttons positioned on the control panel can be customized to suit each user's individual preferences.
- (12) The aluminum rail has a dual structure that incorporates a hardened steel inner-rail wear strip, reducing unevenness on the bearing surface and providing a smooth operation.
- (13) Three models, standard type, rear-mounting type, low-ceiling type are prepared. Rear-mounting type is available to set up the radiographic table near the wall. Low-ceiling type keeps same vertical stroke with standard type although ceiling height is 2700mm.

CONFIGURATION



SPECIFICATIONS

Item	Standard type	Rear-mounting type (*2)	Low-ceiling type
Maximum supportable weight	47 kg		
Balancing system	Spring-balanced type		
Ceiling fixtures rail	Fixed rail: 4 m / 5.5m Travelling rail: 2 m / 2.6m / 3.3m		
Movement of X-ray tube assembly			
Range of movement Vertical travel (*1)	With ceiling height of 2850 mm: 400 to 2,000 mm	With ceiling height of 2850 mm: 400 to 2,000 mm	With ceiling height of 2700 mm: 400 to 2,000 mm
	Continuous		
Longitudinal travel	2,950 mm (with a 4m fixed rail) 4,450 mm (with a 5.5m fixed rail)		
Transverse travel	1,400 mm (with a 2m travelling rail) 2,000 mm (with a 2.6m travelling rail) 2,700 mm (with a 3.3m travelling rail)		
Operation	Manual, electromagnetic lock		
Rotation about the vertical axis			
Angle of rotation	$\pm 180^\circ$, continuous (click stops at 90° intervals)		$+30^\circ$ to -90° , continuous (click stops at 90° intervals)
Operation	Manual, electromagnetic lock		
Rotation about the horizontal axis			
Angle of rotation	$+120^\circ$ to -180° , continuous Click stops at 0° and $\pm 90^\circ$		
Operation	Manual, electromagnetic lock		
Display	Angle of rotation displayed digitally.		
Standard ceiling height	2,850 mm (*3)		2,700 mm

*1 Distance between focus and floor with standard rails (The values are 10 mm less if a wide fixed rail is used.)

*2 Low-ceiling type and electric tomography, bucky synchronization unit are not available with the rear-mounting design.

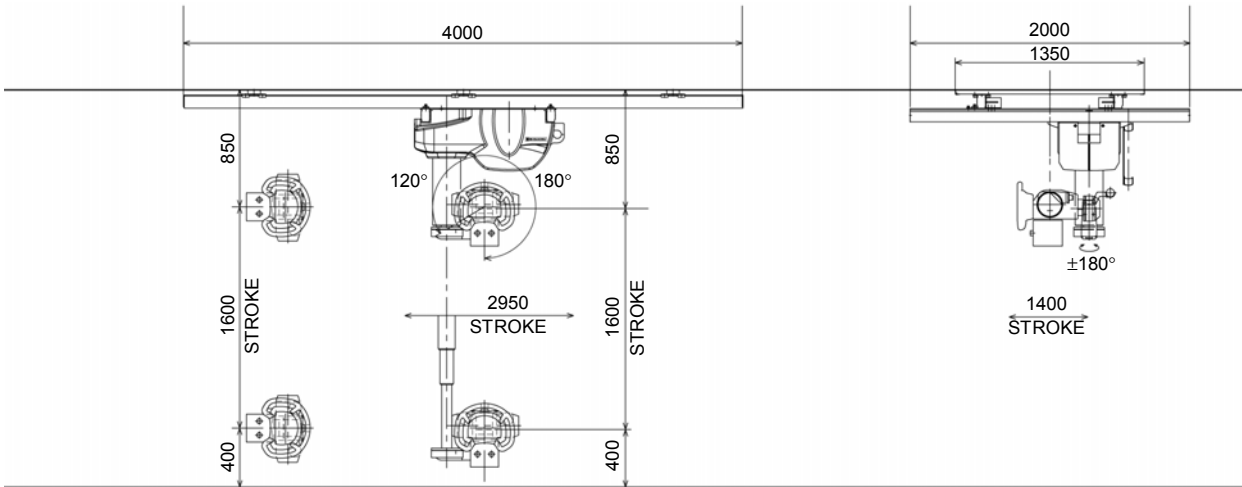
*3 Installation with the focus 350 mm lower is possible, thus vertical travel movement 400 to 2,000 mm is maintained although the ceiling height is 3200 mm.

DIMENSIONS

Weight	250 kg (including support, 4-m fixed rail, and 2-m traveling rail)
Power source	Single phase, AC 100V, 0.2 kVA, 50/60 Hz Single phase, AC 200, 220, 240V, 1.0 kVA, 50/60 Hz

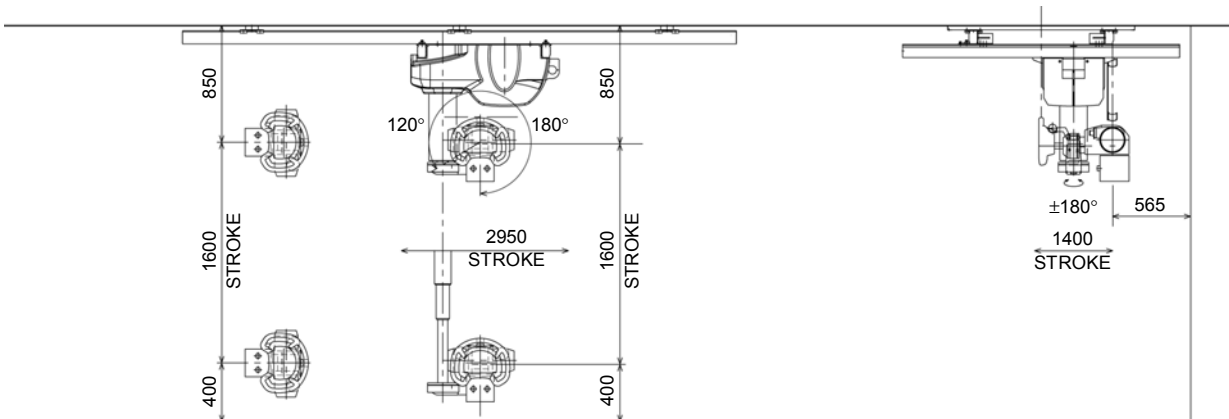
PRODUCT DATA CH-200

Standard type



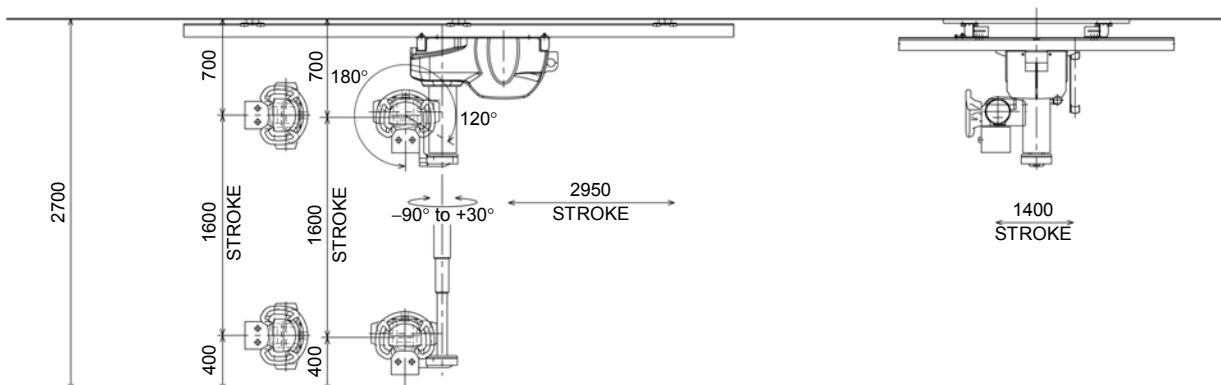
With ceiling height of 2,850 mm

Rear-mounting type



With ceiling height of 2,850 mm

Low-ceiling type



With ceiling height of 2,700 mm

Remarks

- * Every value in this Product Data Sheet is a standard value, and it may vary a little from the actual at each site.
- * The appearances and specifications are subject to change for reasons of improvement without notice.
- * Certain configurations may not be available pending regulatory clearance. Contact your Shimadzu representative for information on specific configurations.



SHIMADZU CORPORATION. International Marketing Division

3. Kanda-Nishikicho 1-chome, Chiyoda-ku, Tokyo 101-8448, Japan Phone: 81(3)3219-5641 Fax: 81(3)3219-5710

URL <http://www.shimadzu.com>



Shimadzu Corporation Medical Systems Group has been certified by TÜV Rheinland as a manufacturer of medical equipment and systems in compliance with ISO9001: 2000 Quality Management Systems and EN ISO13485: 2000 Medical Equipment Quality Management Systems.