

SHIMADZU**PRODUCT DATA**

Intelligent
Bucky Stand**BR-120**

**GENERAL**

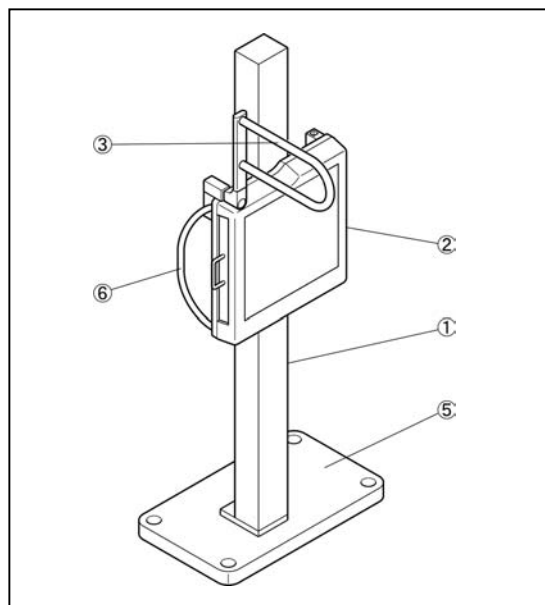
Used in combination with an X-ray tube assembly, a collimator, an X-ray tube support device, and an X-ray high voltage generator, the intelligent bucky stand BR-120 is used to take radiography of patients in standing position.

FEATURES

- (1) Vertical travel to accommodate all patient ranges and studies.
- (2) Size sensing cassette tray mounted. Combination with ceiling type X-ray tube support CH-200, the collimator self-adjusts according to the SID and the size of the inserted cassette.
- (3) Remote collimation control option allows the operator controlling the X-ray field from the side of patient.
- (4) Compact design bucky unit for easy examines sitting patients.
- (5) Selectable extensive options improve the examination.

CONFIGURATION

- Stand
- Bucky unit
- Overhead hand support (optional)
- Cassette holder (optional, not shown)
- Base plate (optional)
- PA radiography handle (optional)
- Interlocking device (optional, not shown)
- Compression belt (optional, not shown)
- Remote collimation option (optional, not shown)



SPECIFICATIONS

Item	Contents
Bucky upper edge to floor distance Operation	h = 627 ~ 2147mm (24.7 ~ 84.6inch) Manual, electromagnetic lock
Chin support to film center distance	247 mm (9.7inch)
Bucky unit front panel to film distance	40 mm (1.6inch)
Available film size	CM : 18 × 24, 24 × 24, 24 × 30, 35 × 35, 35 × 43cm INCH : 8 × 10, 9.5 × 9.5, 10 × 12, 11 × 14, 14 × 14, 14 × 17inch In either vertical or horizontal direction.
Position to fix the cassette	Center
X-ray grid (It functions as a moving grid within irradiation field.)	R=10:1, N=40Lines/cm, fo = 150cm, Al, 479 × 438mm or R=12:1, N=40Lines/cm, fo = 170cm, Al, 479 × 438mm

DIMENSIONS

Required space for installation	650mm (25.6inch) Width × 400 mm (15.7inch) length
Weight	120kg
Power source	Single phase AC100V, 0.1kVA, 50/60Hz (Supplied from the X-ray high voltage generator)

Remarks

- * Every value in this Product Data Sheet is a standard value, and it may vary a little from the actual at each site.
- * The appearances and specifications are subject to change for reasons of improvement without notice.
- * Certain configurations may not be available pending regulatory clearance. Contact your Shimadzu representative for information on specific configurations.



SHIMADZU CORPORATION. International Marketing Division

3. Kanda-Nishikicho 1-chome, Chiyoda-ku, Tokyo 101-8448, Japan Phone: 81(3)3219-5641 Fax: 81(3)3219-5710

URL <http://www.shimadzu.com>



Shimadzu Corporation Medical Systems Group has been certified by TÜV Rheinland as a manufacturer of medical equipment and systems in compliance with ISO9001: 2000 Quality Management Systems and EN ISO13485: 2000 Medical Equipment Quality Management Systems.