

SHIMADZU**PRODUCT DATA**X-ray
Radiography
Table**BK-200****GENERAL**

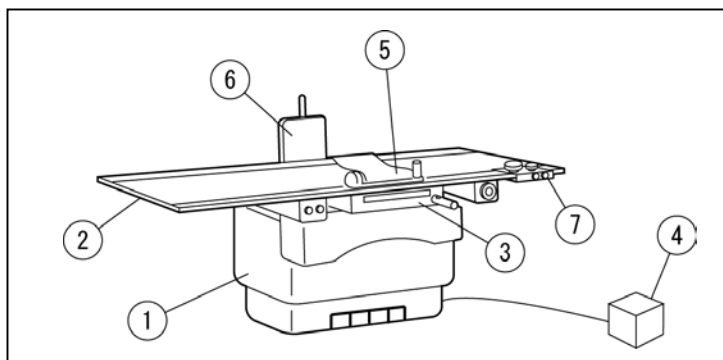
Used in combination with an X-ray tube assembly, a collimator, an X-ray tube support device, and an X-ray high voltage generator, the X-ray radiography table BK-200 is used to take radiography of patients in supine position.

FEATURES

- (1) Elevating horizontal radiographic table. It is easy to get on / off the table for the patient, and move the patient from a stretcher.
- (2) Maximum lifting weight is 295kg (650lbs). It is designed to pursue durability.
- (3) 4-way floating top and electromagnetic locks, enables easily positioning.
- (4) Size sensing cassette tray mounted. Combination with ceiling type X-ray tube support CH-200, the collimator self-adjusts according to the SID and the size of the inserted cassette.
- (5) Table top collision protection sensor stops vertical travel when touch the obstacles.

CONFIGURATION

- Main frame
- Floating Table Top Assembly
- Bucky device
- Control cabinet
- Compression belt (optional)
- Lateral cassette holder (optional)
- Grip switch (optional)
- CFRP table top (optional)
- Handle (optional, not shown)
- Drip holder (optional, not shown)
- Rear foot switch (optional, not shown)



SPECIFICATIONS

Items	Contents
Size of Table Top	810 × 2350mm(31.9 × 92.5inch)
Material of tabletop	WOOD
Table top travel	
Longitudinal movement	1150mm(45.3inch)
Lateral movement	± 125mm(4.9inch)
Tabletop lock	Electromagnetic lock
Vertical table travel range	315mm(12.4inch)
Distance between table top and floor	535 to 850mm(21.1 to 33.5inch)
Distance between table top and film	80mm(3.1inch)
Maximum lifting weight	295kg
Accept cassette size	CM : 18 × 24, 24 × 24, 24 × 30, 30 × 40, 35 × 35, 35 × 43cm INCH : 8 × 10, 9.5 × 9.5, 10 × 12, 11 × 14, 14 × 14, 14 × 17inch In either vertical or horizontal direction.
Position to fix the cassette	Center
Bucky device	Grid ratio : 10:1 Grid density : 40Lines/cm Focusing distance : 100cm Interspacer : Al Size : 479 × 438mm

DIMENSIONS

Required space for installation	5000mm(196.9inch) Width × 3500mm(137.8inch) length (to combine with the X-ray support device)
Weight	320kg
Power source	Single phase AC200, 220, 240V 1.0 kVA, 50/60Hz

Remarks

- * Every value in this Product Data Sheet is a standard value, and it may vary a little from the actual at each site.
- * The appearances and specifications are subject to change for reasons of improvement without notice.
- * Certain configurations may not be available pending regulatory clearance. Contact your Shimadzu representative for information on specific configurations.



SHIMADZU CORPORATION. International Marketing Division

3. Kanda-Nishikicho 1-chome, Chiyoda-ku, Tokyo 101-8448, Japan Phone: 81(3)3219-5641 Fax: 81(3)3219-5710

URL <http://www.shimadzu.com>



Shimadzu Corporation Medical Systems Group has been certified by TUV Rheinland as a manufacturer of medical equipment and systems in compliance with ISO9001: 2000 Quality Management Systems and EN ISO13485: 2000 Medical Equipment Quality Management Systems.